



Complete Small Parts Electropolishing Machine Base Machine Description and Pricing

Complete free-standing unit with a small footprint

Acid resistant materials to withstand the harsh solutions and temperatures used in electropolishing.

- Heavy-duty Stainless Steel unibody construction
- S.S. leveling feet and ventilation hood
- CNC Machined CPVC table top
- Polypropylene tank with splash guarding on sides and rear and drip edge on sides and front
- Dual 1000 Watt Titanium tank heating elements
- Dual Tank impellers for bath agitation

Built for easy regular maintenance and inspections.

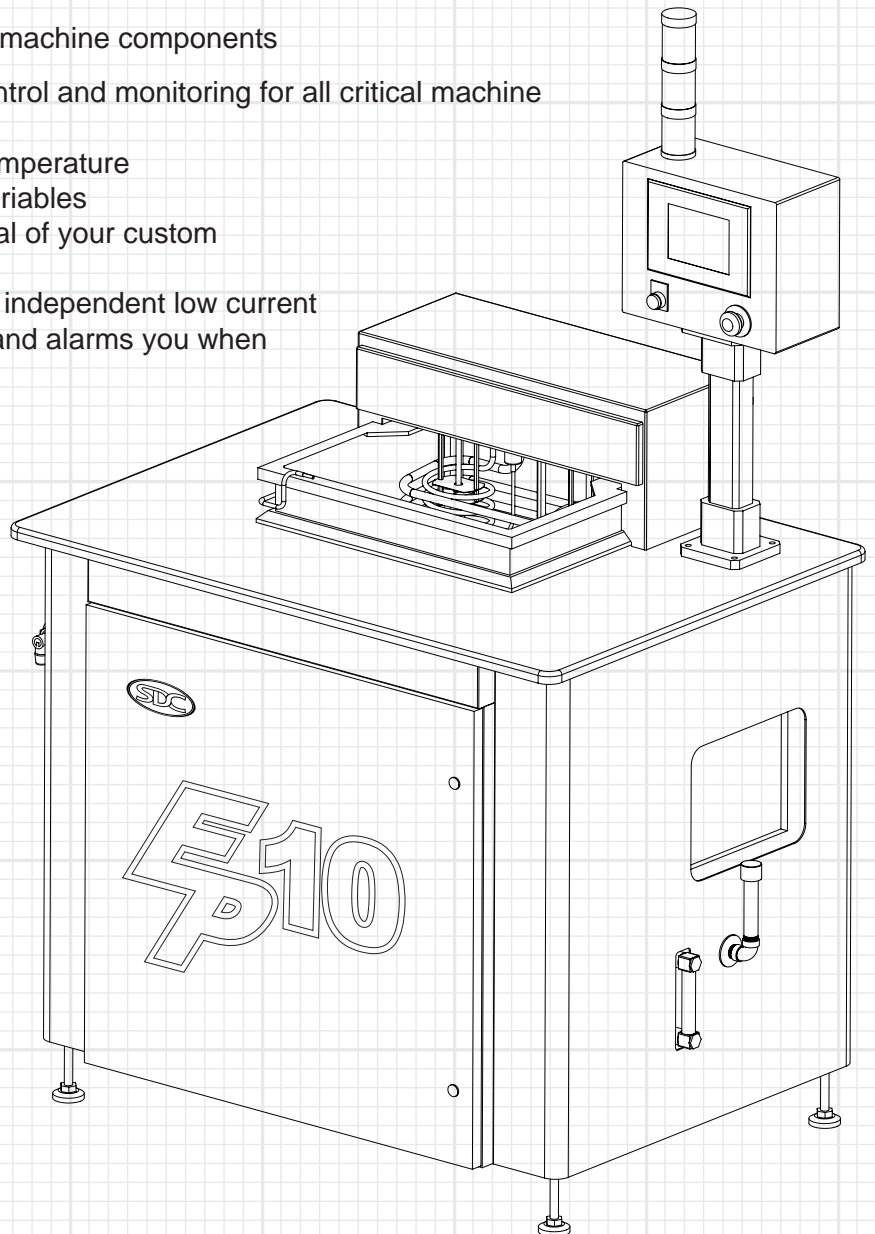
- Front access tank drain valve
- Easily removable S.S. covers to access all machine components

Robust machine control system allows control and monitoring for all critical machine functions.

- PLC controlled current, voltage and tank temperature
- On-screen graphical trending of process variables
- On demand creating, modifying and retrieval of your custom electropolishing recipes
- Current and voltage regulation system with independent low current alarm ensures each process is consistent and alarms you when there is a variance
- Color touch-screen display allows user-friendly access to machine functions.
- Additional On-board I/O allows customization and additional control capabilities without requiring an upgrade
- Closed loop temperature control system with independent over-temperature alarm
- Operation indicator light allows for easy monitoring of the EP10(s) across your floor

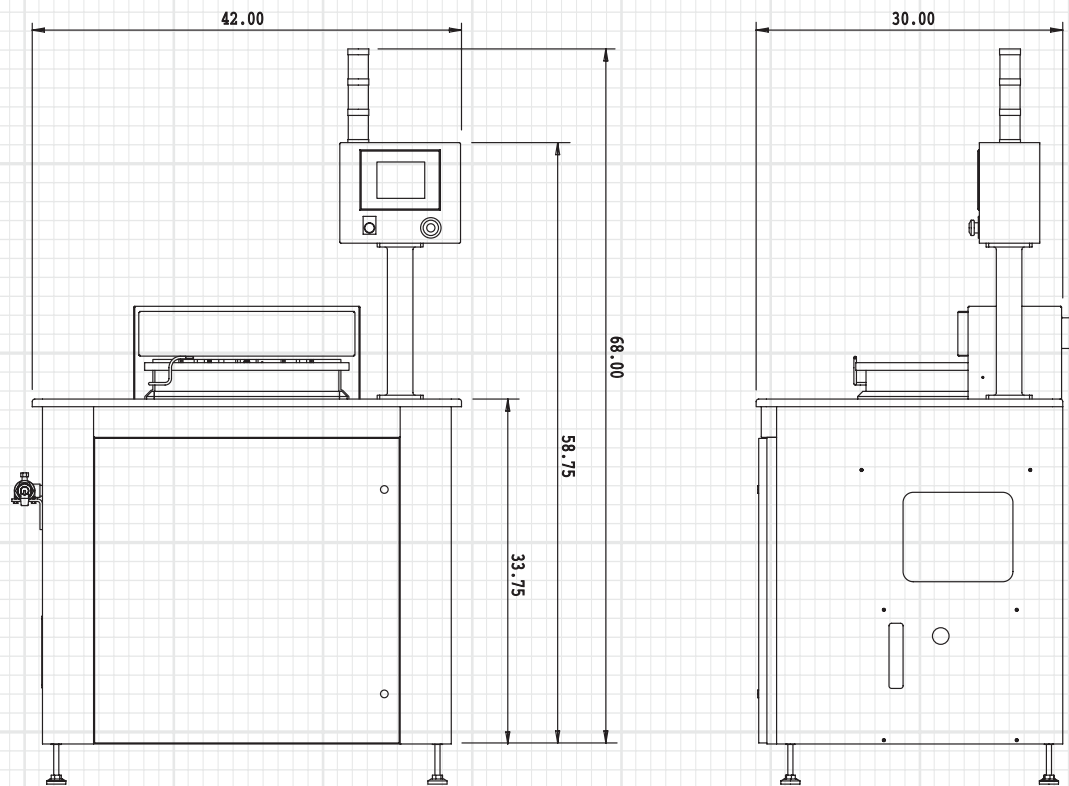
Dedicated electropolishing power supply ensures full and consistent power during the polishing process.

Baffle controlled agitation system gives you precise tank flow control.



Standard EP10 Technical Specs

Machine Size:	Length: 42-in. x Width: 30-in. x Height: 68-in. *Note-Height includes the machine indicator light
Electrical Requirements:	120 Volts, 25 Amps, 60Hz, 1 Phase
Total Tank Volume:	10 US Gallons (37.85 Liter)
Tank Dimensions:	Overall: 15.25-in. Deep x 17.5-in. Wide x 8-in. High side walls Open Polishing Area: 7.75-in. Deep x 17.5-in. Wide x 8-in. High side walls
Heating Power:	2000 Watt (2 x 1000 Watt heating Coils)
Operating Temperature Range:	120° F to 180° F (48.8 C to 82.2 C)
Temperature Accuracy:	+/- 1° F (+/- 0.55 C)
System Monitoring:	Operating temperature and other key process and safety variables are constantly monitored by the machine control system and accessible through the touch-screen display.
Standard Electropolishing Circuit	Each EP10 comes with wiring to the tank for one positive (+) Anode circuit (for the part/rack), and one (-) Cathode circuit.



EP10 Base Price: *Please Call For Current Pricing*
See additional "Standard EP10 options" on separate sheet.

Contact us to see if our enterprising EP10 can help you achieve success in your electropolishing applications.



Enterprising Electropolishing Machines

Steven Douglas Corp.
10420 Kinsman Rd
Newbury, Ohio 44065
USA

Ph: 440-564-5200
Fax: 440-564-5205

www.s-d-c.com
sales@s-d-c.com

Copyright © 2007, Steven Douglas Corp. All rights reserved.

EP10-PS-08-07